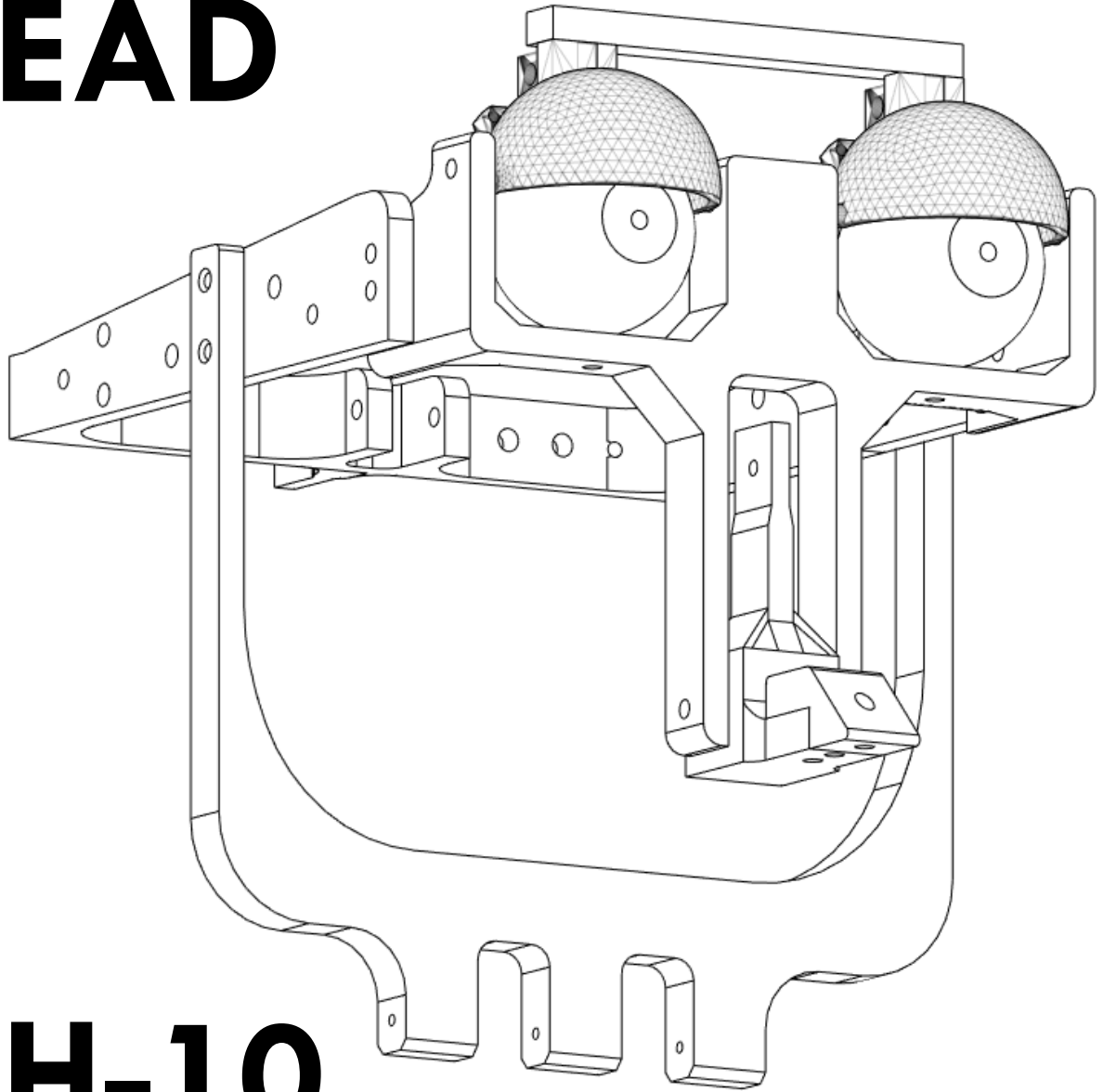


ADVANCED ANIMATRONIC HEAD

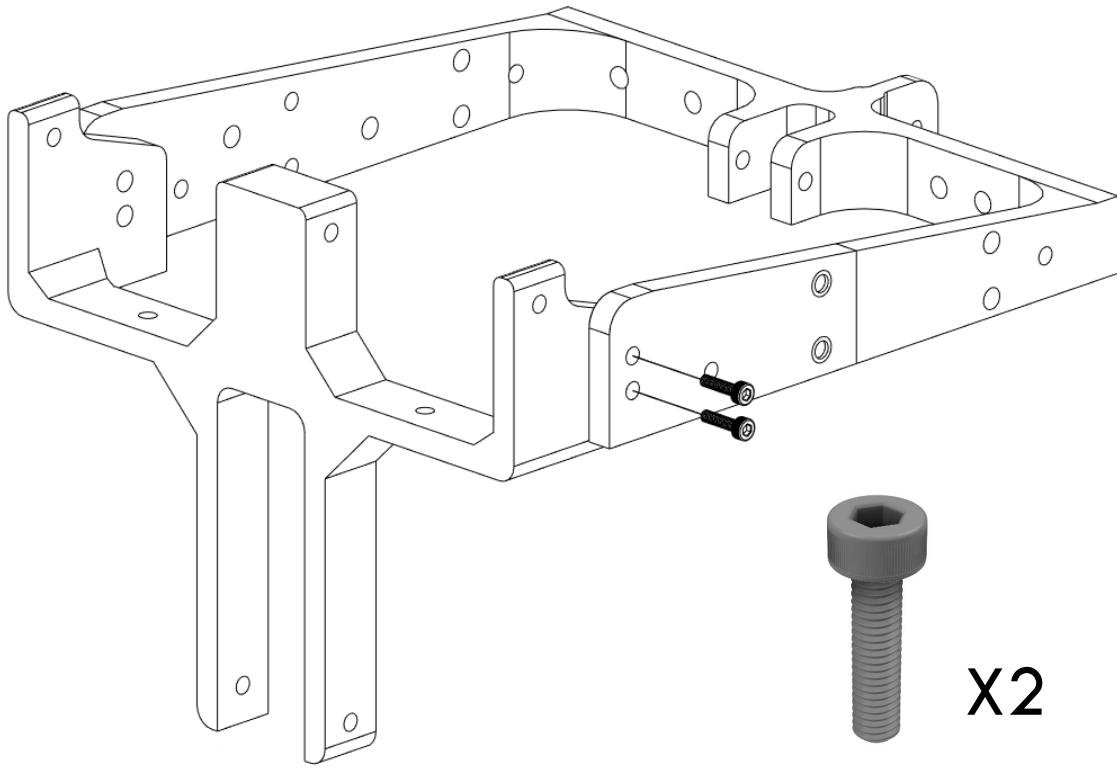


AH-10

MANUAL VERSION 1.3

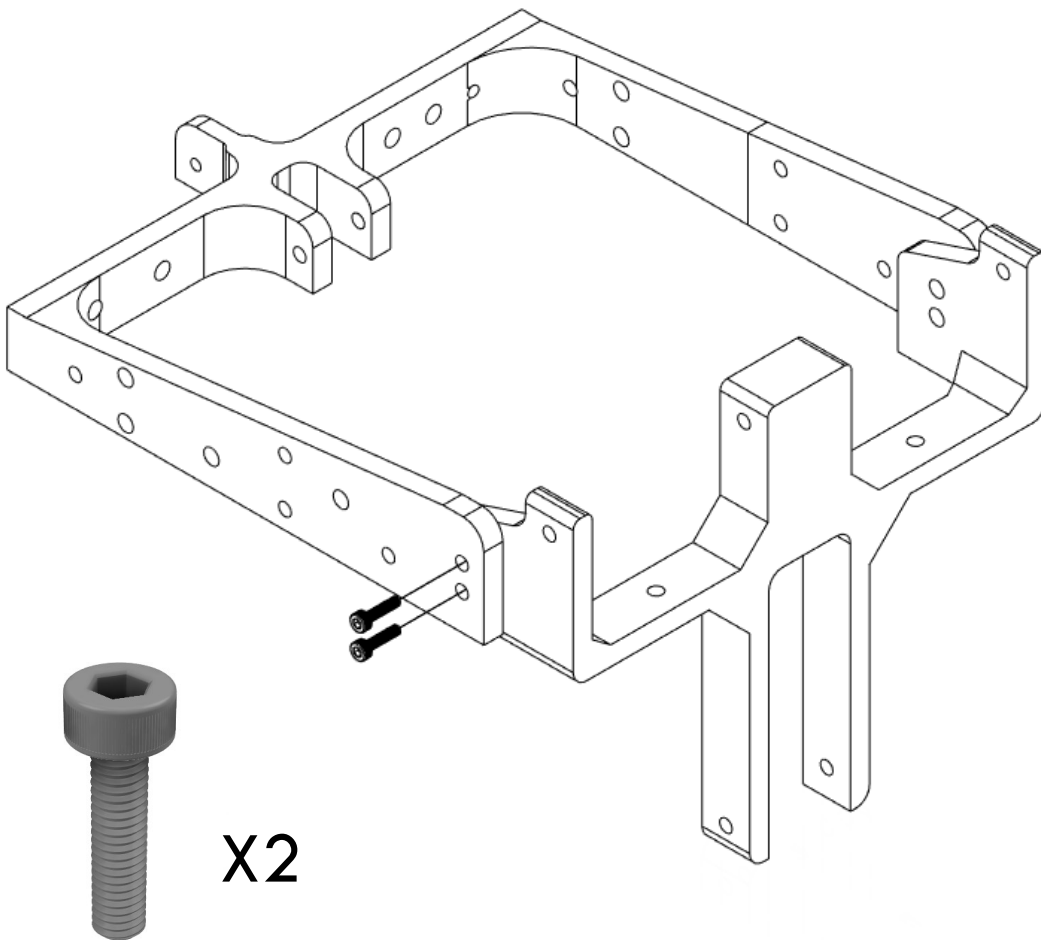
COLORADO
ANIMATRONICS

This publication and all mechanical aspects and designs are protected under U.S. copyright law
©Colorado Animatronics 2021



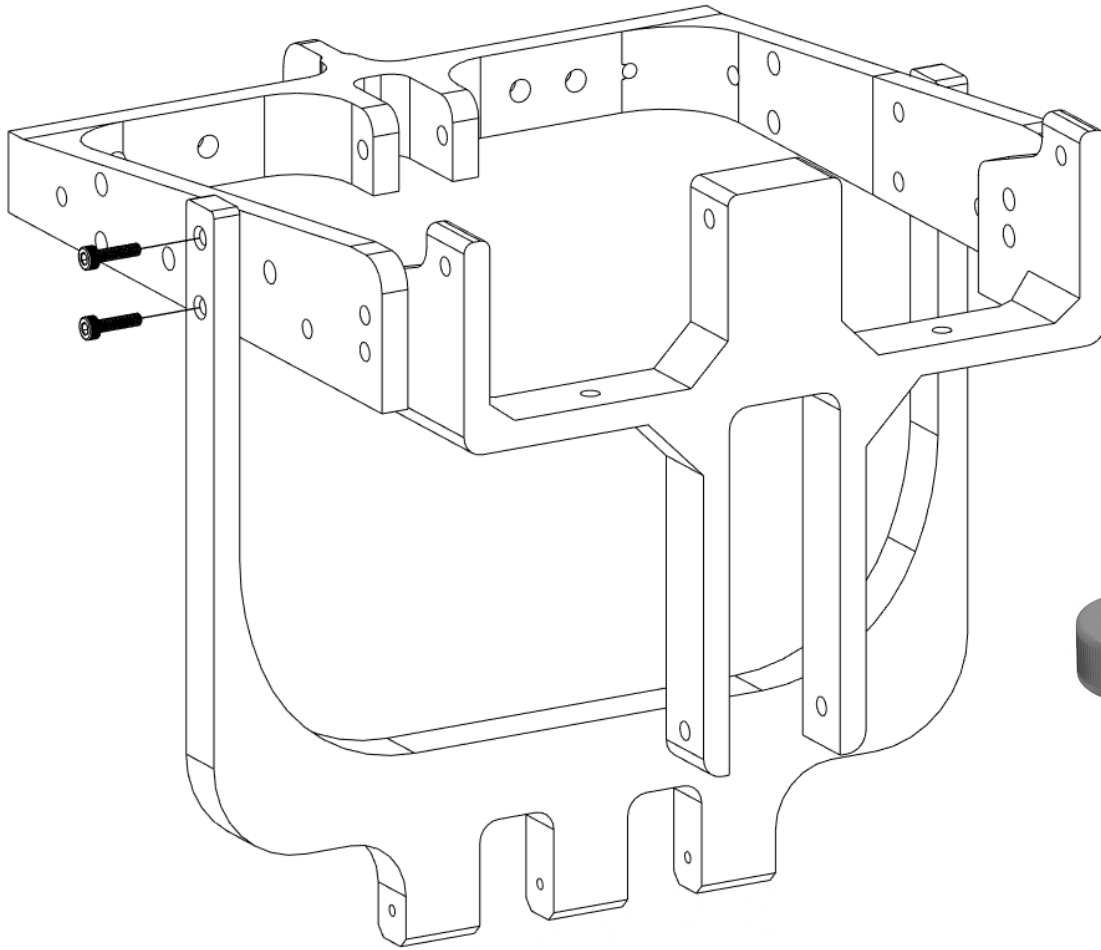
X2

**From Package
#1**



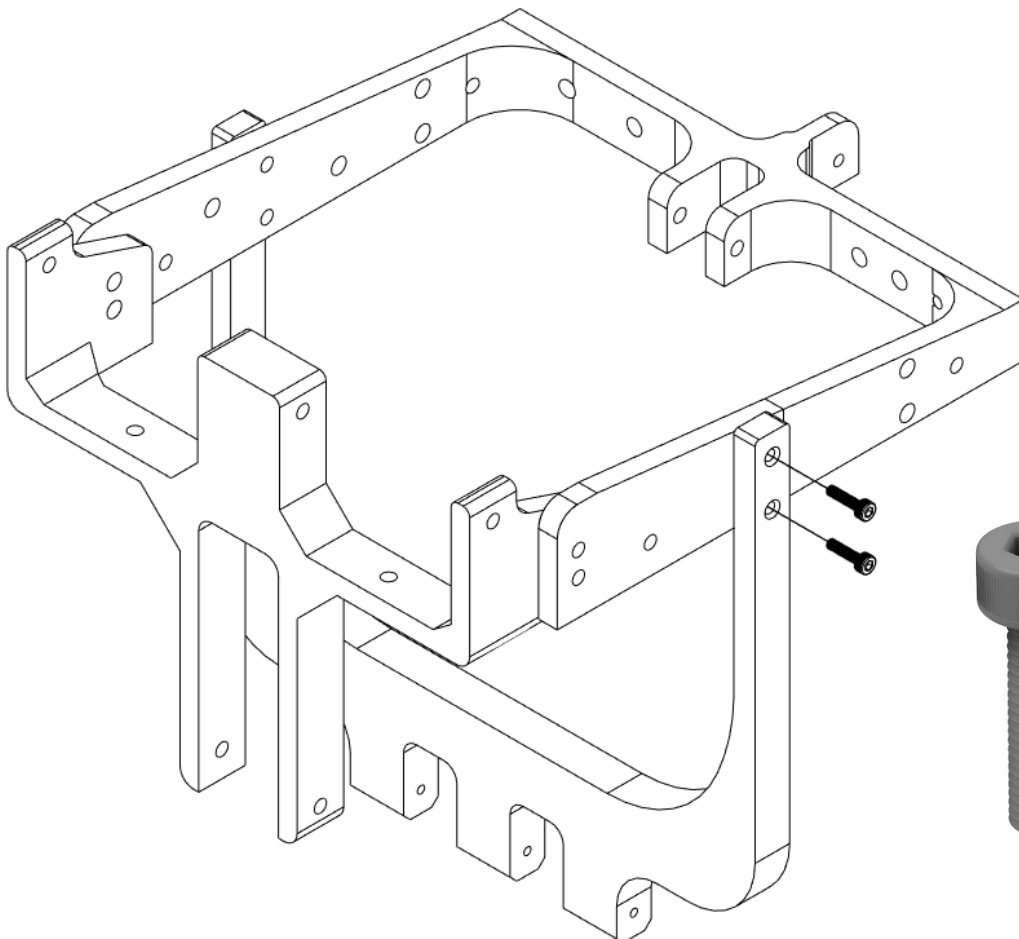
X2

From Package #1



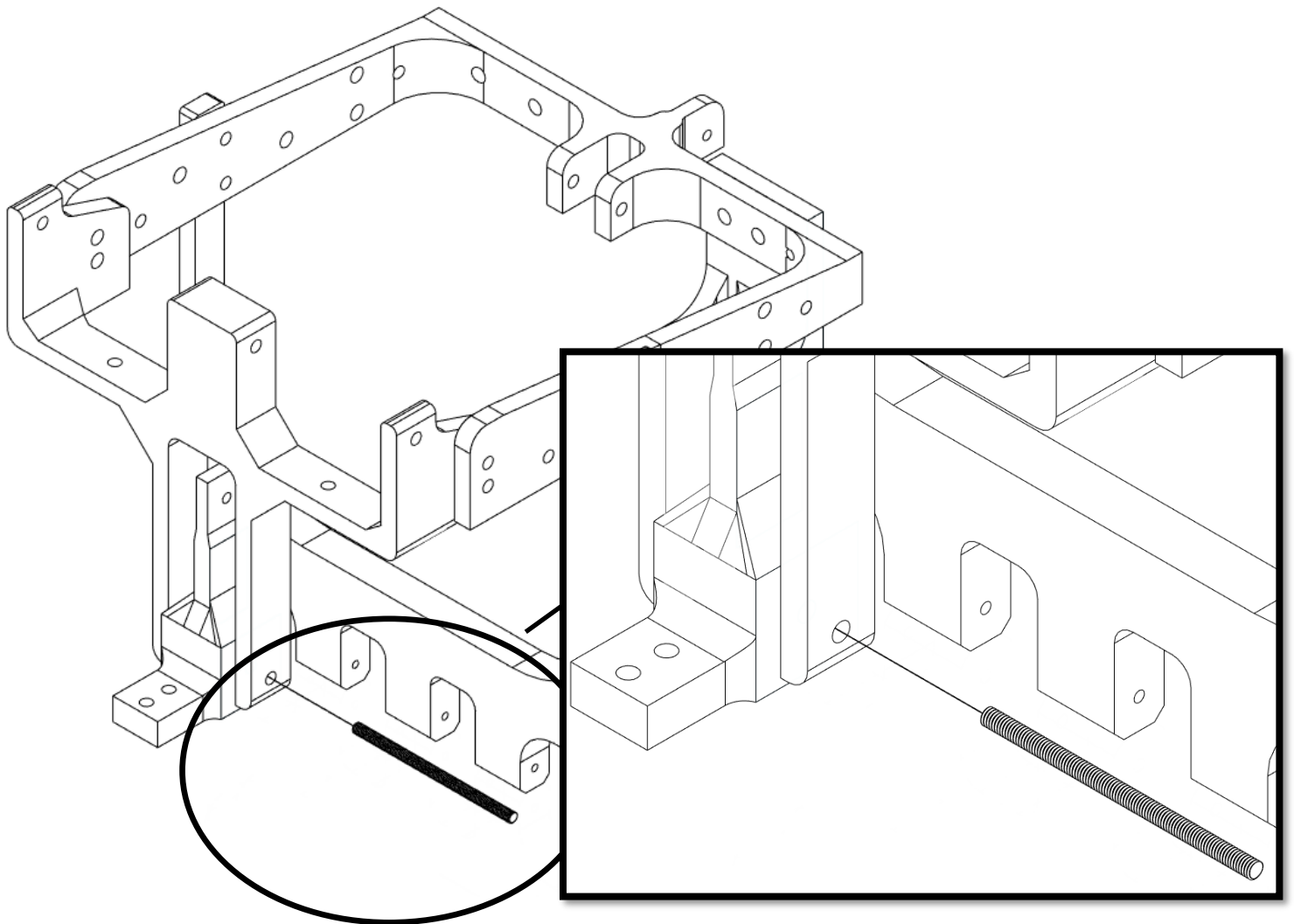
X2

**From
Package
#1**



X2

**From
Package
#1**



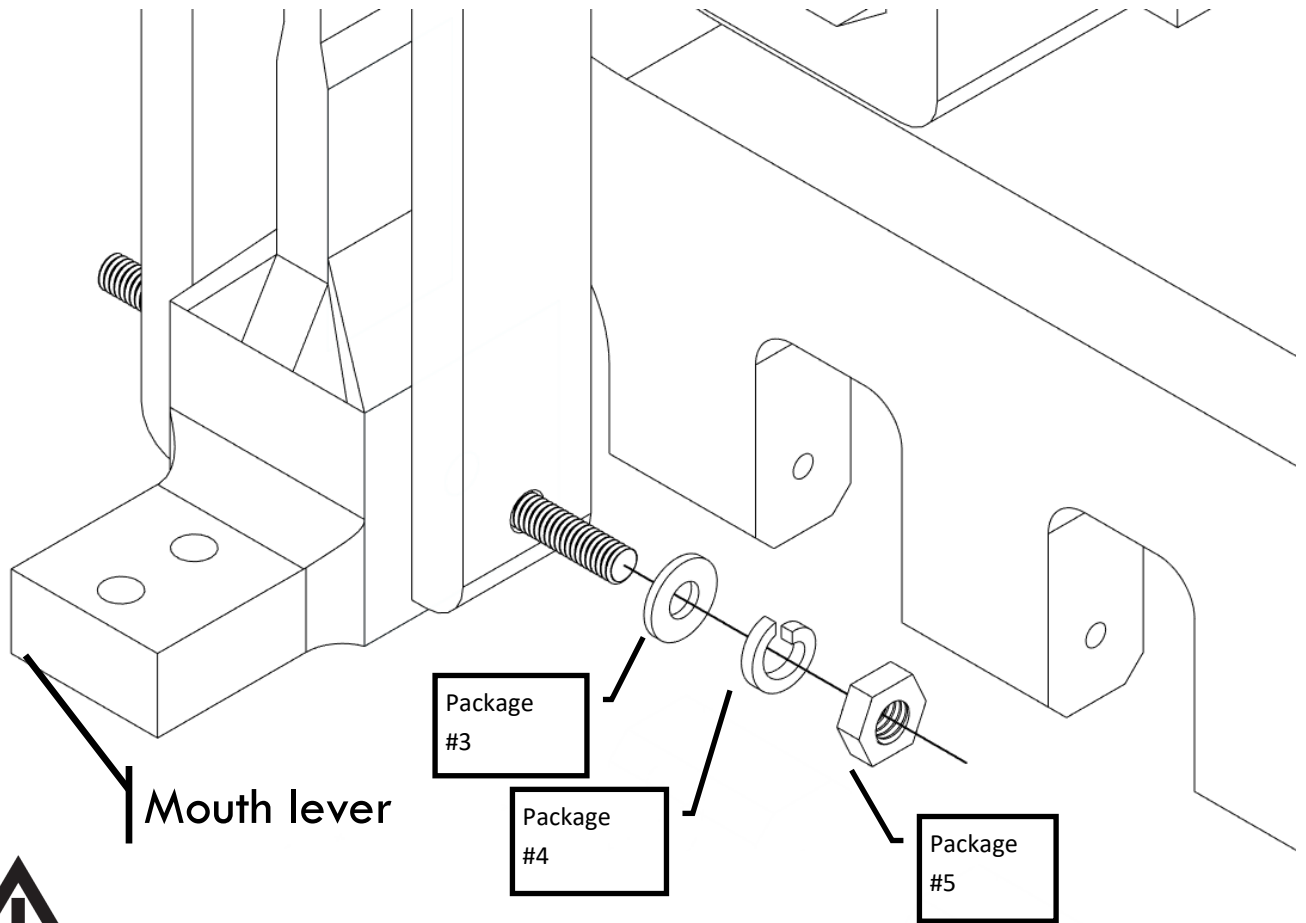
From Package
#2



Caution: Ends of screw rods
can be sharp. Please use
caution when handling.

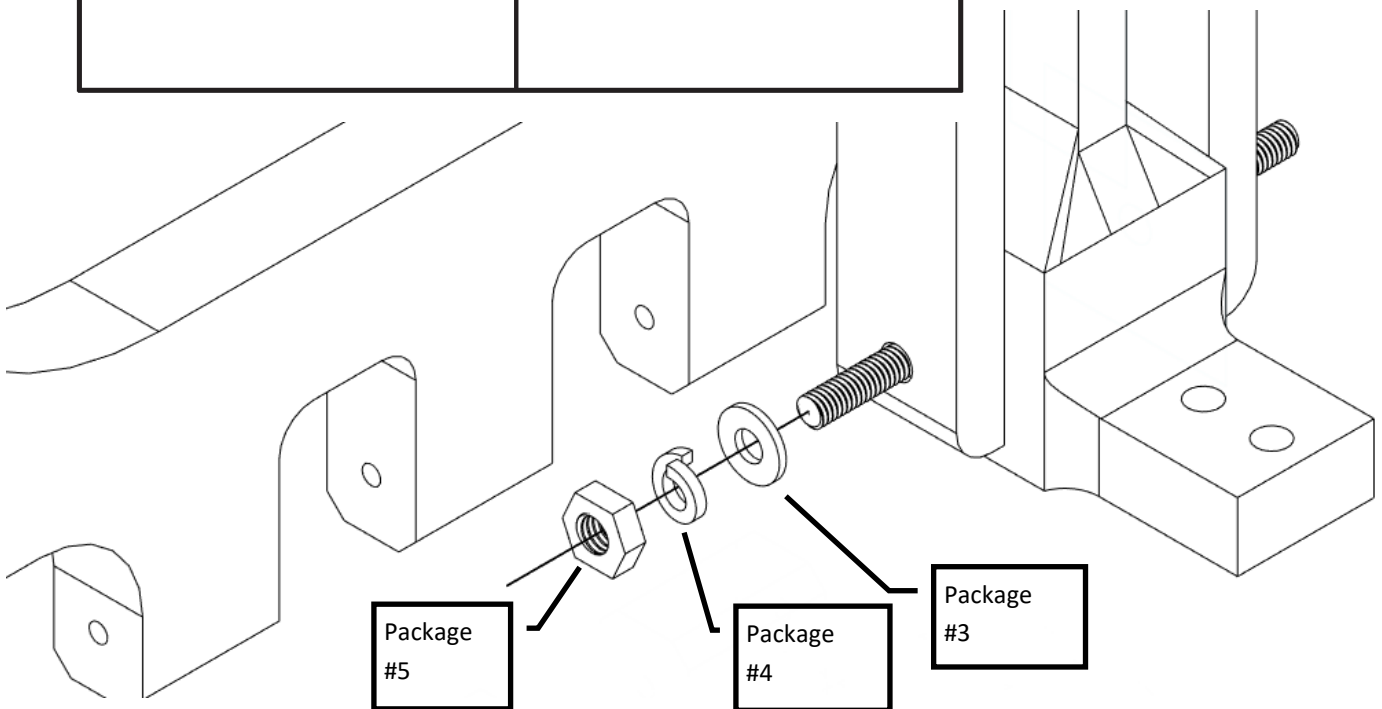


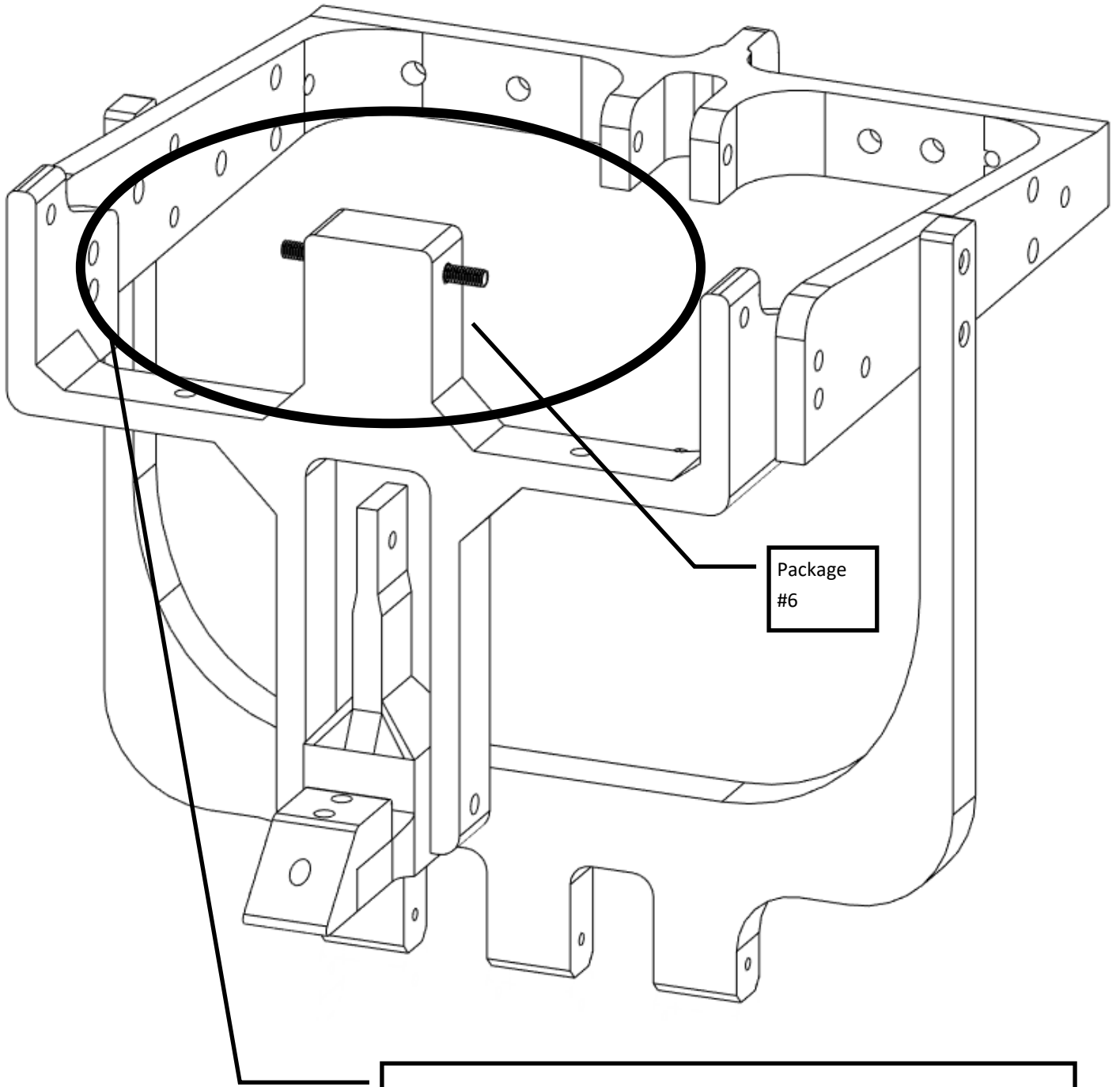
Step not shown in
following pages.




Make sure the mouth lever is able to move with minimal friction.

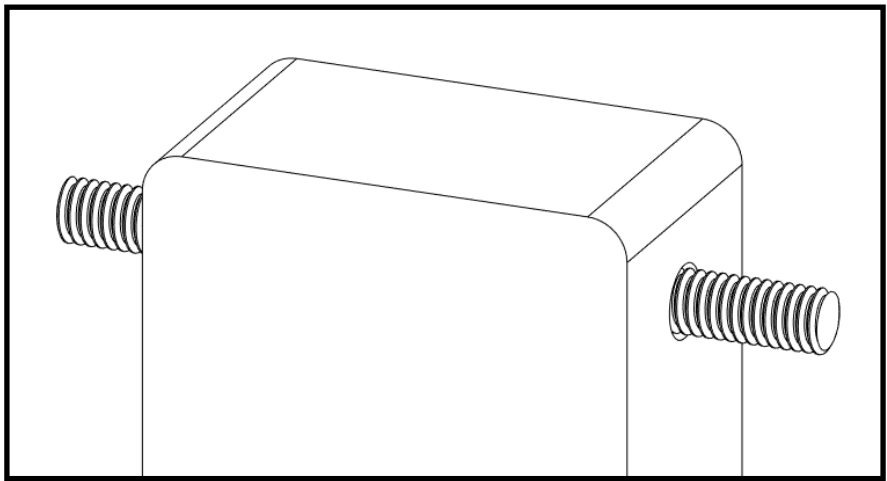
Fixing the nuts onto the rods can take a couple of tries.

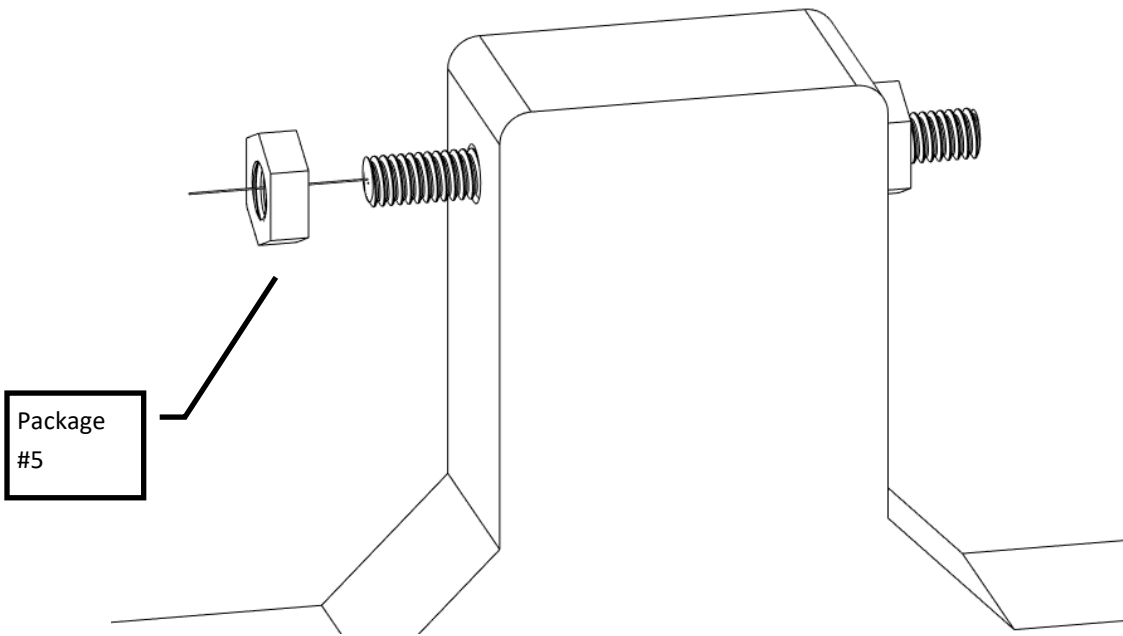
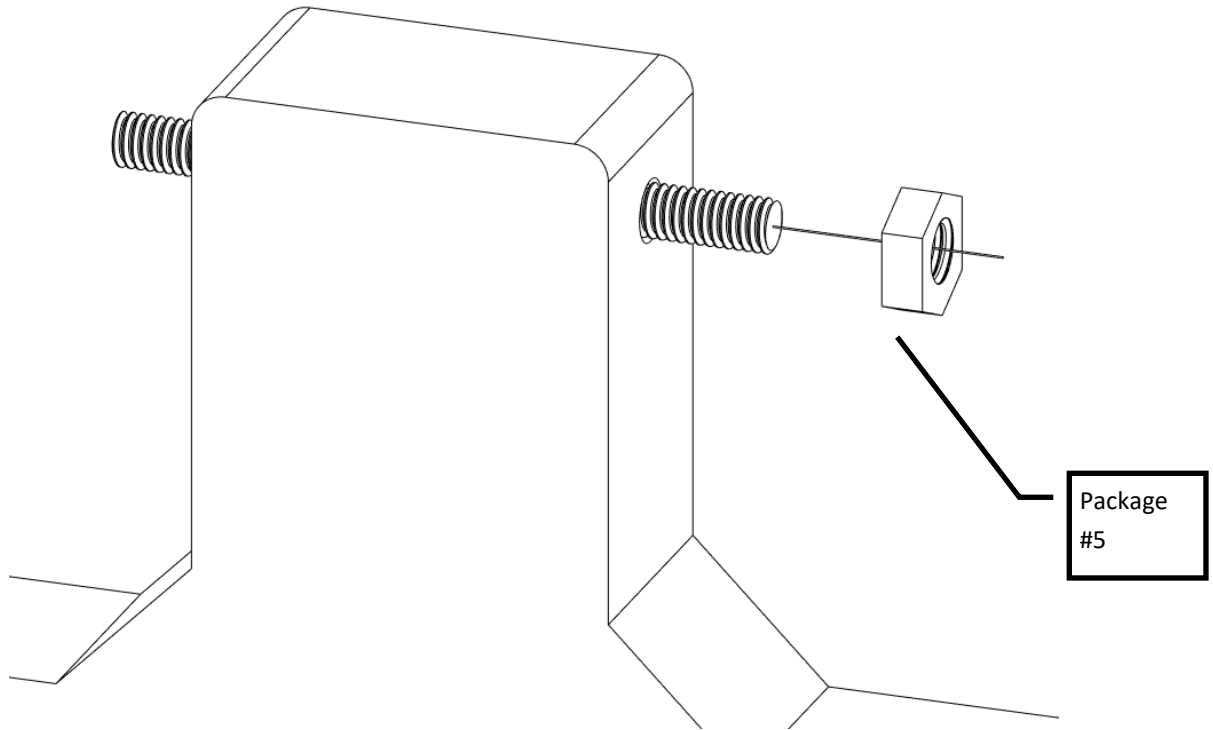





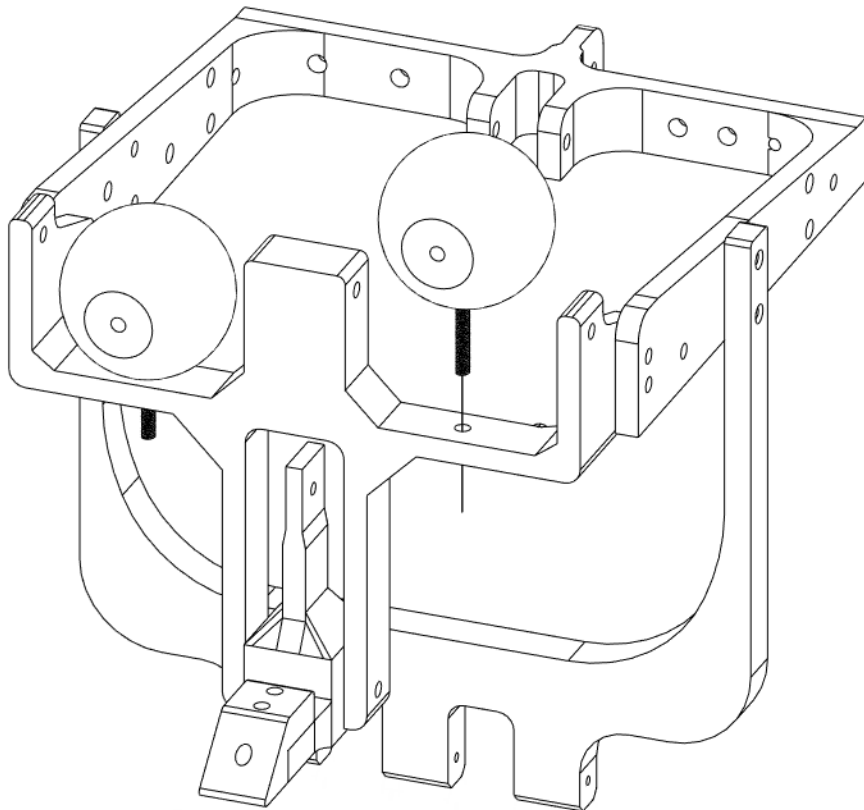
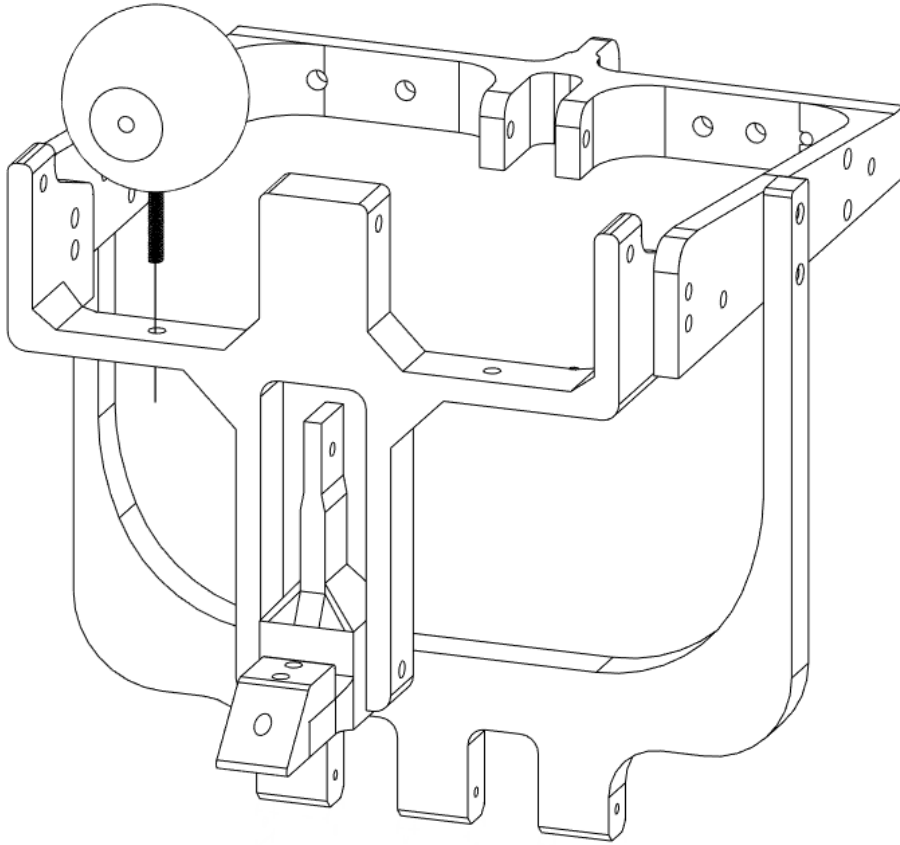
Package #6

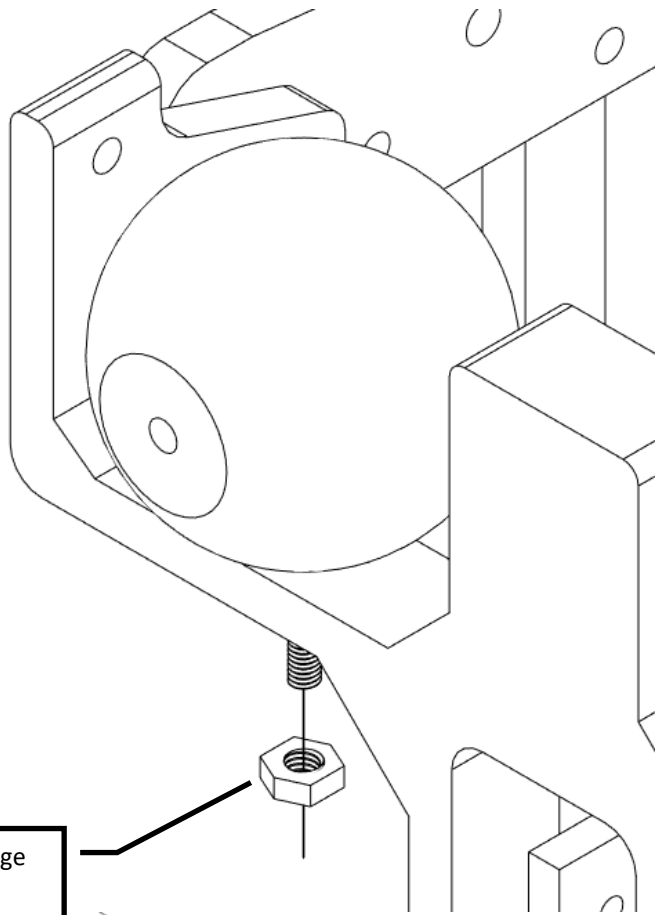

Step not shown
after page 7.



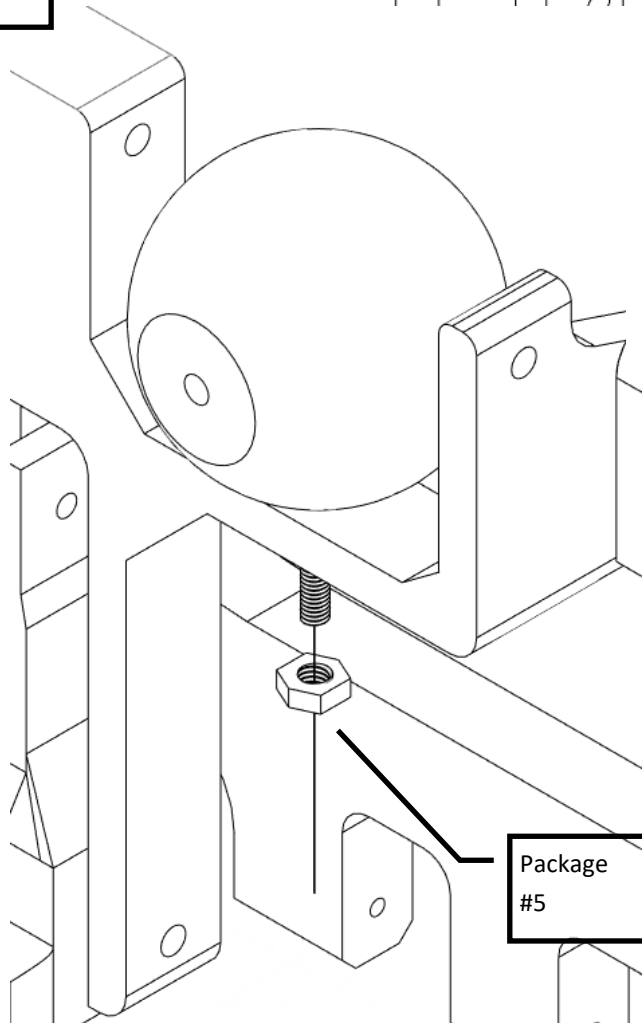



Step not shown in
following pages.





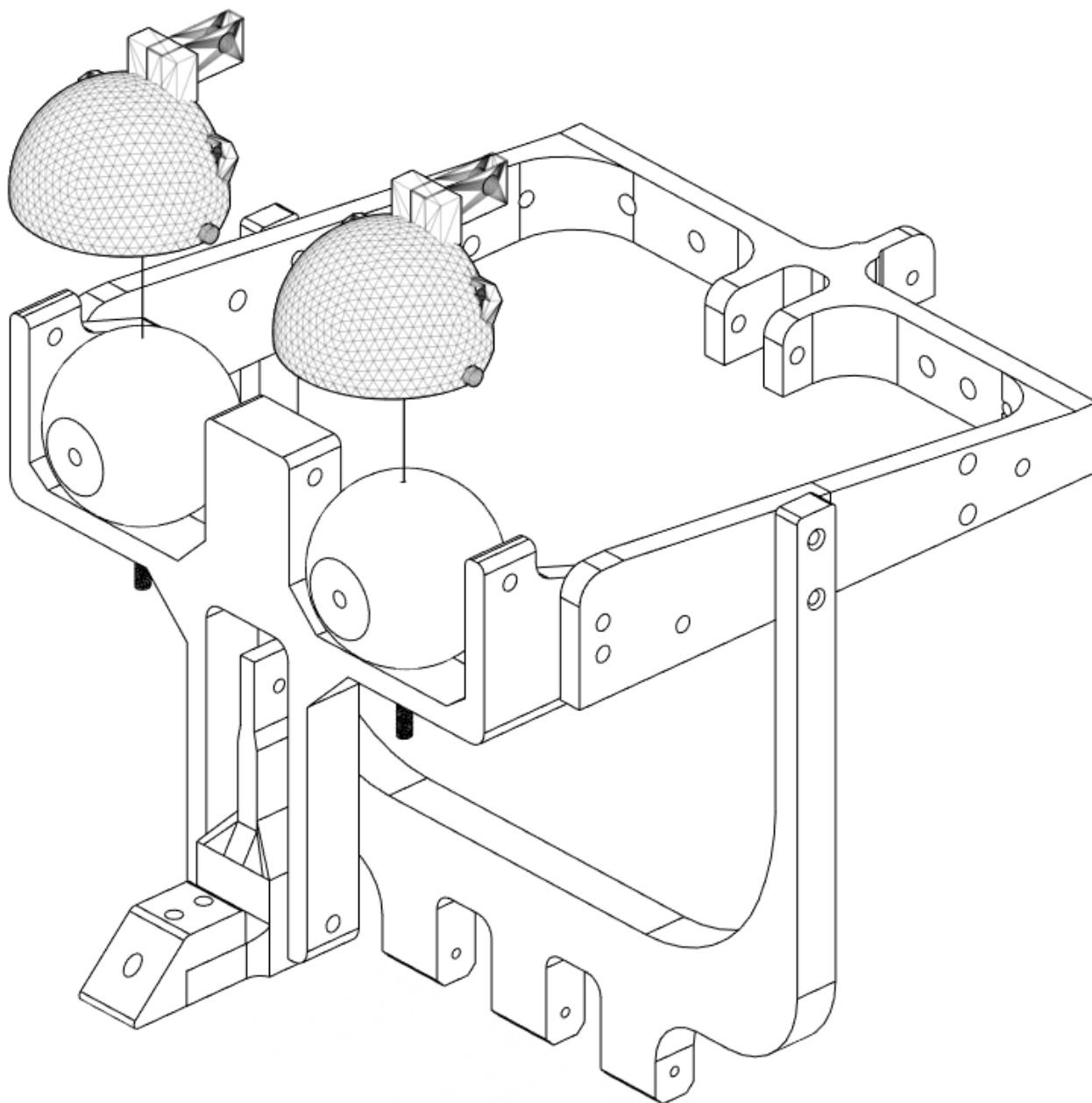
Package #5



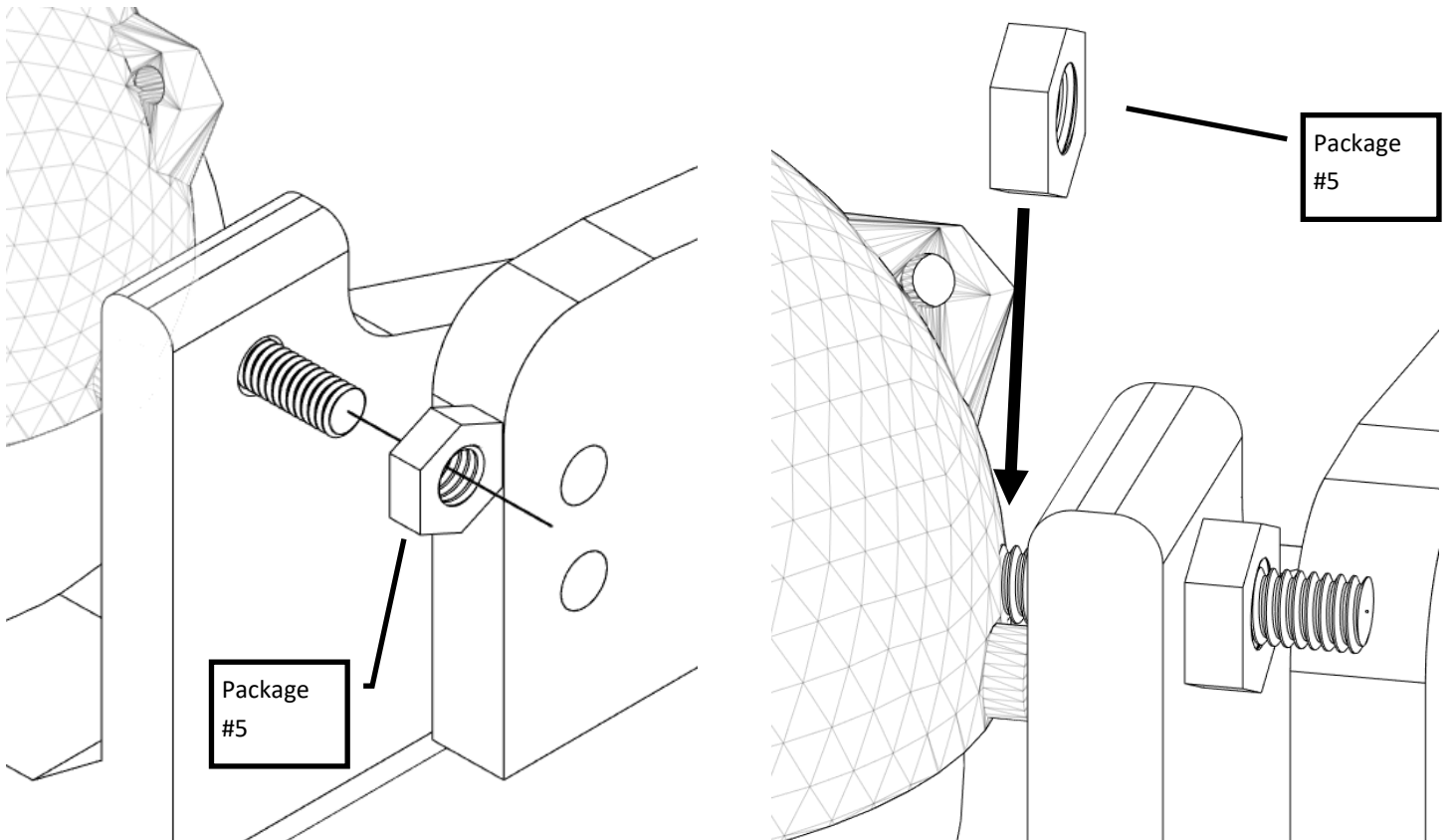
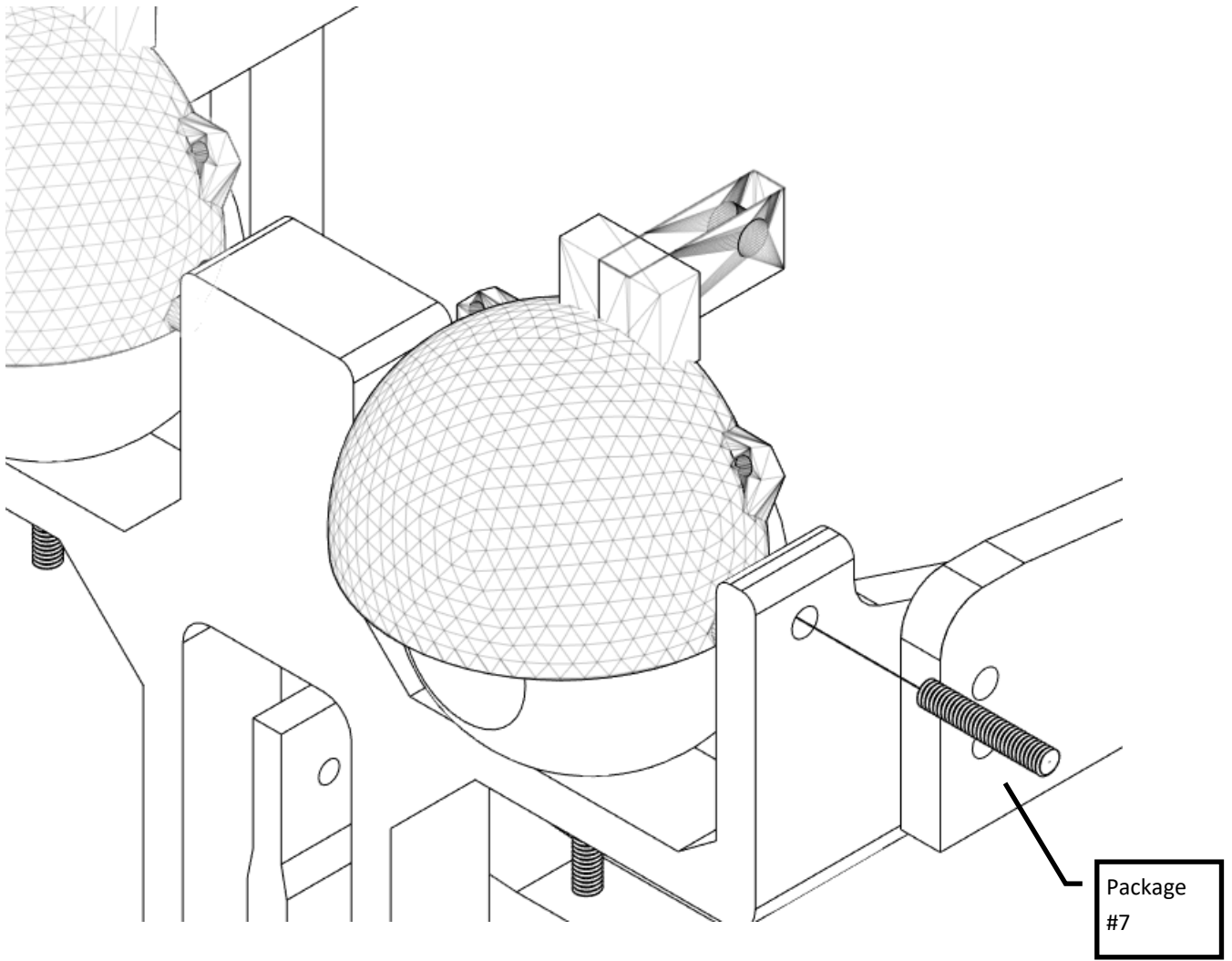
Package #5

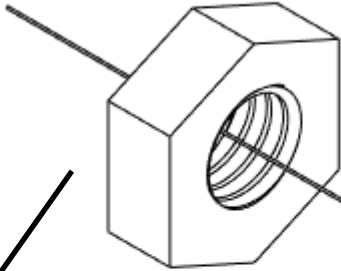


Be careful not to break the screw rod from the eyeball.




Align the eyelids with the screw rods placed from page 6 and 7.






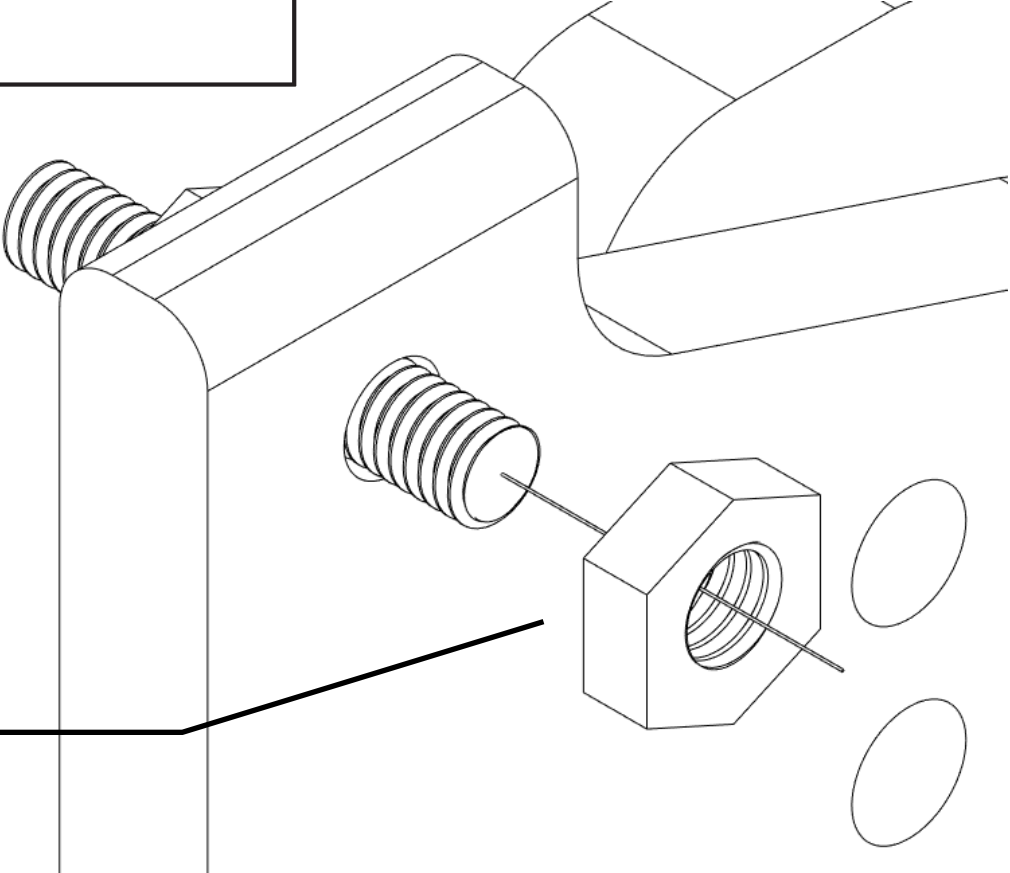
Package #5



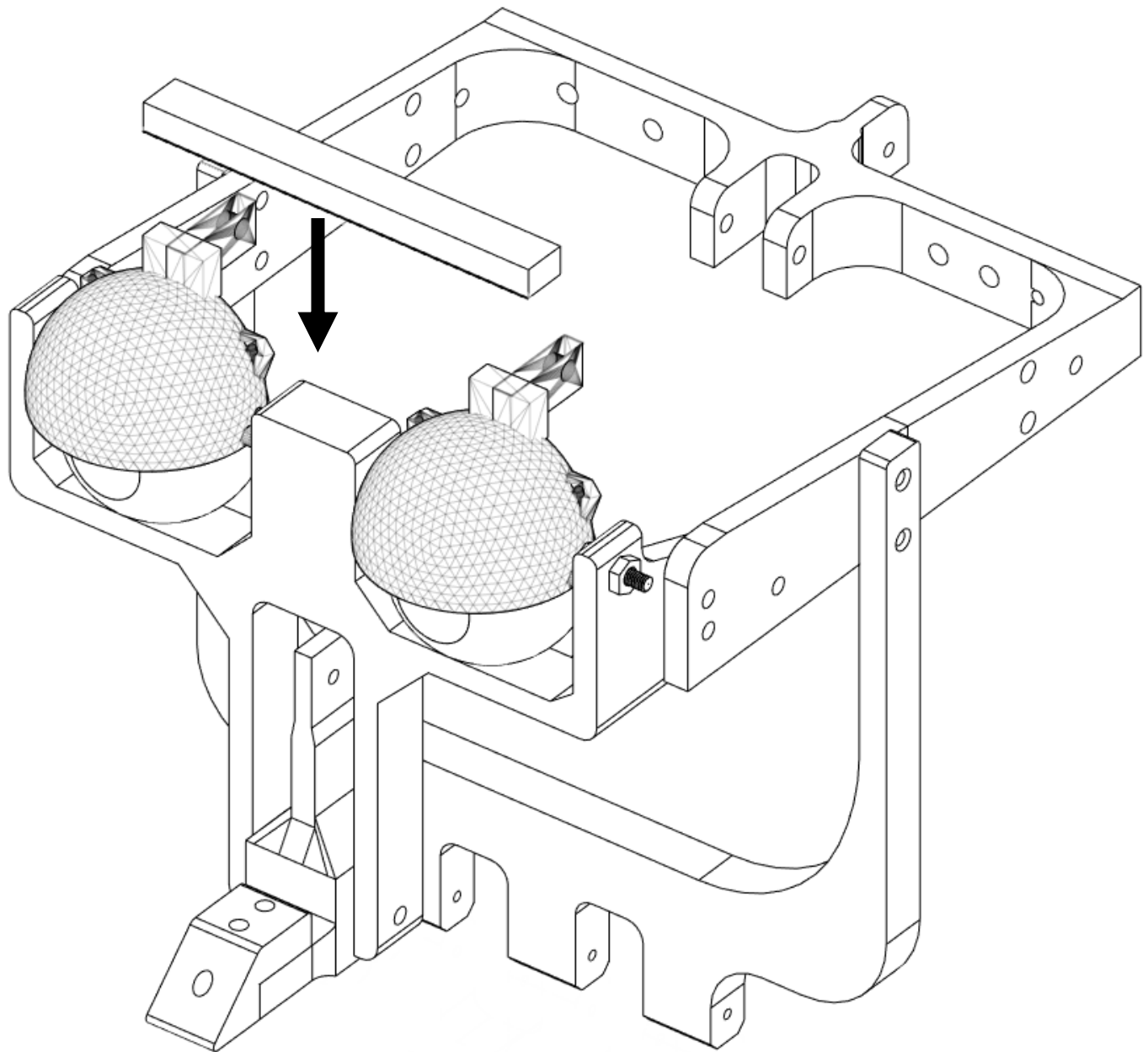
Package #7



Eyeball should still be in place during this step.



Package #5



Use some hot glue or super glue to connect the eyelid bar to the eyelids.